



Short description



- Aluminium-alloy IP65 single point load cell
- Colourless anodized
- Suitable for pricing scales, bench scales, etc.
- Maximum platform size: 350 x 350 mm



Test certificate no. D09-09.12 Revision 0

Available models

Capacity	Accuracy	Full article description
75kg	C3/C4	L6D8-C3/C4-75kg-1.6B
100kg	C3/C4	L6D8-C3/C4-100kg-1.6B
150kg	C3/C4	L6D8-C3/C4-150kg-1.6B
200kg	C3/C4	L6D8-C3/C4-200kg-1.6B

Specifications and dimensions are subject to change without notice and do not constitute any liability whatsoever.

Type L6D8 Load Cell

Technical specifications L6D8

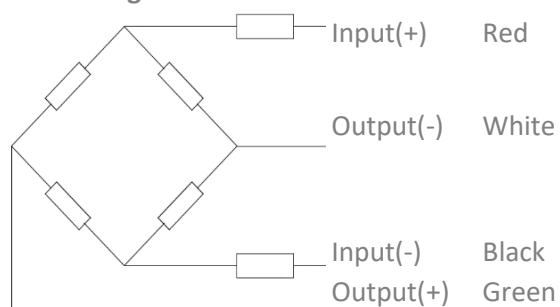
Accuracy class		OIML R60 C3	OIML R60 C4
Output sensitivity (= FS)	mV/V	2.0 ± 0.2	
Maximum capacity (E _{max})	kg	75, 100, 150, 200	
Max.number of load cell intervals	n _{LC}	3000	4000
Ratio of min. LC verification interval	$Y = E_{max} / v_{min}$	10000	16000
Combined Error	%FS	± 0.0230	± 0.0175
Minimum dead load	Of E _{max}	0%	
Safe overload	of E _{max}	150 %	
Ultimate overload	of E _{max}	300 %	
Zero balance	of FS	< ± 2.0 %	
Excitation, recommended voltage	V	5 ~ 12	
Excitation maximum	V	18	
Input resistance	Ω	409 ± 6	
Output resistance	Ω	350 ± 3	
Insulation resistance	MΩ	≥5000 (at 50VDC)	
Compensated temperature	°C	-10...+40	
Operating temperature	°C	-35...+65	
Storage temperature	°C	-40...+70	
Element material		Aluminium	
Ingress Protection (acc. to EN 60529)		IP65	
Recommended torque on fixation bolts	Nm	M6: 10	

Wiring

Features:

Shielded, 4 conductor cable
Cable diameter: Ø3.8mm
Standard cable length: 1.60m
Shield not connected to element
Cable jacket in PVC

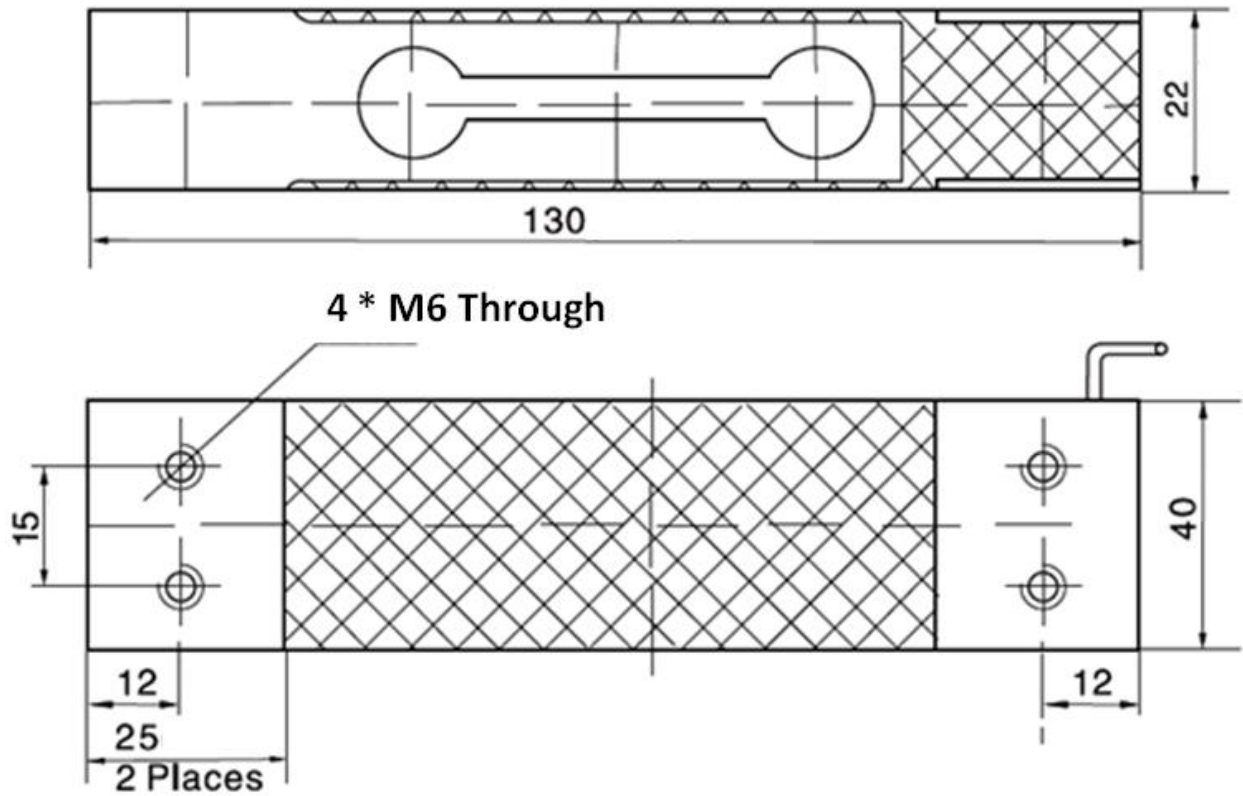
4-wire diagram



Specifications and dimensions are subject to change without notice and do not constitute any liability whatsoever.

Type L6D8 Load Cell

Dimensions in mm



Note: Screws M6 class 8.8, screw rinsed with oil. Torque as in specifications table

Specifications and dimensions are subject to change without notice and do not constitute any liability whatsoever.